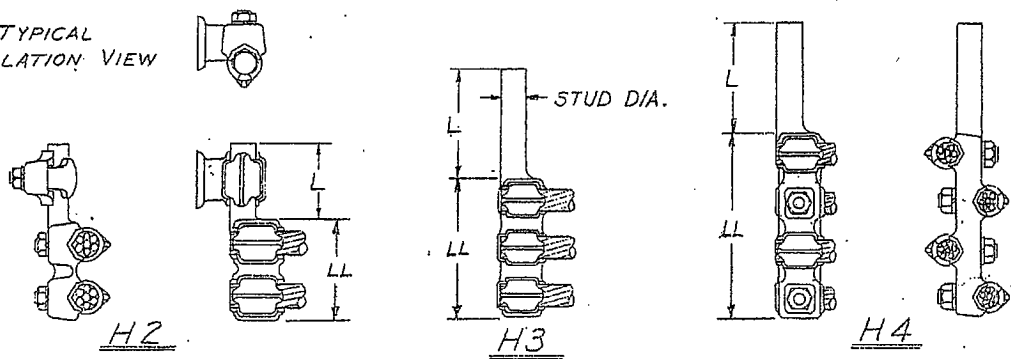


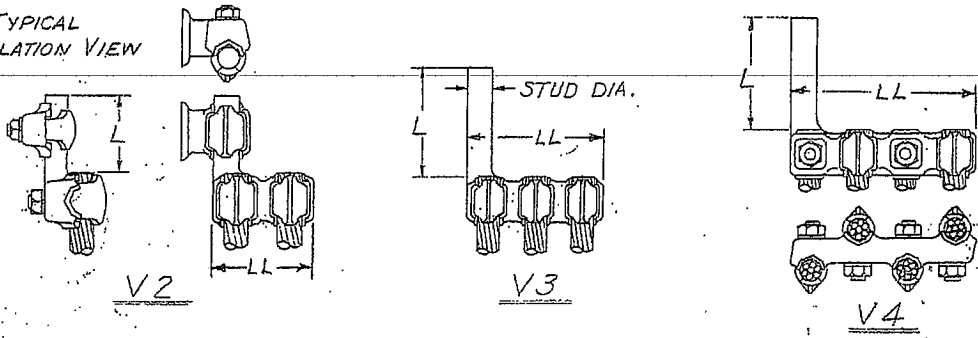
10-29-68	R7	ADD LL DIM.
REV. DIM. RANGE OF W/STUD		
6 SOL. 250 MCM 2/13/51		
10-26-64	4	REVISED TABLE ON SH #4
10-19-61	5	V2-63 STUD DIMS 27/32
11-2-61	6	V2-63 STUD DIMS 27/32

TYPICAL INSTALLATION VIEW



11-12-57	1	REDRAWN TAB. ADDED W/DS
1-27-58	2	CH. STUD DIA.
7-19-58	3	ADDED SHEET #2

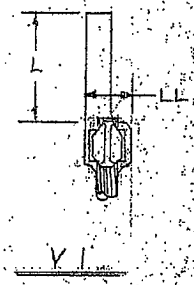
TYPICAL INSTALLATION VIEW



NOTES

MATERIAL:

1. TERMINAL BODY - ELECTRICAL BRONZE #255.
2. EYEBOLT - HIGH STRENGTH ALUMINUM BRONZE.
3. NUTS - HIGH STRENGTH BRONZE.
4. WASHERS - PH. BRZ. EVERLOCK
5. TERMINALS NORMALLY SUPPLIED UNPLATED. IF PLATING IS DESIRED PLEASE SPECIFY.
6. SEE SHEET #4 FOR "LL" DIMENSION.



REF. REQUEST #699 REPLACES CC-74-94

NEMA SIZE OF TRANSFORMER TERMINAL		ADAPTER SIZES		CATALOG NUMBERS						DIMENSIONS IN INCHES	
NO.	RANGE AWG OR MCM	COPPER CABLE RANGE	RANGE-INCHES	H2	V2	H3	V3	H4	V4	STUD DIA.	L
7/16"	8 SOL. - 2/0 STR.	8 SOL. - 2/0 SOL.	.128 - .365	H2-33	V2-33	H3-33	V3-33	H4-33	V4-33	3/8"	1 7/16"
5/8"	6 SOL. - 250 MCM	4 SOL. - 250 MCM	.204 - .574	H2-43	V2-43	H3-43	V3-43	H4-43	V4-43	9/16"	2"
13/16"	2 SOL. - 350 MCM	2 SOL. - 350 MCM	.255 - .681	H2-53	V2-53	H3-53	V3-53	H4-53	V4-53	1 1/16"	2 1/2"
15/16"	1/0 SOL. - 500 MCM	1/0 SOL. - 500 MCM	.321 - .813	H2-63	V2-63	H3-63	V3-63	H4-63	V4-63	2 1/8"	3 3/4"
1 1/4"	3/0 SOL. - 1000 MCM	2/0 SOL. - 1000 MCM	.361 - 1.152	H2-89	V2-89	H3-89	V3-89	H4-89	V4-89	1 9/32"	4 1/2"

DATE	8-1-57
DWN BY	WDS
CKD BY	
APPROVED	KS
SCALE	

SECONDARY TERMINAL ADAPTERS FOR OVERHEAD DISTRIBUTION TRANSFORMER

R/7	ANDERSON ELECTRIC CORP.
	BIRMINGHAM ALABAMA
CAT. NO.	DWG. NO. C-14-94

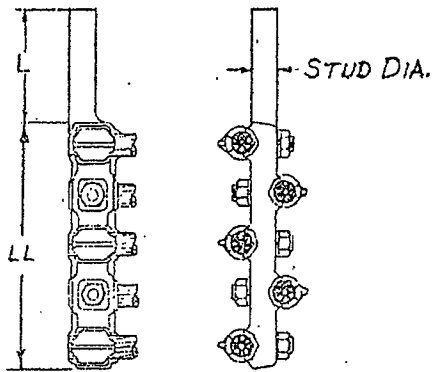
EYEBOLT OPENING	RANGE AWG OR MCM	ADAPTER SIZES		CATALOG NUMBERS			DIMENSIONS IN INCHES	
		COPPER CABLE RANGE	RANGE INCHES	V2	V3	V4	STUD DIA	L
7/16"	8-2/0	4 SOL-250 MCM	.204-.574	V2-43-3/8	V3-43-3/8	V4-43-3/8	3/8	1 3/4
13/16	2-350 MCM	1/0-500 MCM	.321-.813	V2-63-1/16	V3-63-1/16	V4-63-1/16	1/16	2 1/2
7/16	8 SOL-2/0 STR	8 SOL-2/0 SOL	.128-.565"	V2-33-6	V3-33-6	V4-33-6	3/8	6
15/16	1/0 SOL-500 MCM	1/0 SOL-500 MCM	.321-.813	V2-63-25/32	V3-63-25/32	V4-63-25/32	25/32	3 3/4

REVISIONS	DATE	NO.	DESCRIPTION

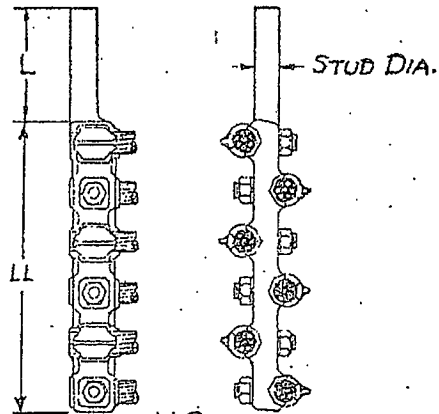
EYEBOLT OPENING	RANGE AWG OR MCM	ADAPTER SIZES		CATALOG NUMBERS			DIMENSIONS IN INCHES	
		COPPER CABLE RANGE	RANGES INS.	V1			STUD DIA	L
5/8	6 SOL-250 MCM	4 SOL-250 MCM	.204-.574	V1-43			9/16"	2

REVISIONS	DATE	NO.	DESCRIPTION
	8-10-78	1	ADDED V3-33-6
	5-17-78	2	ADDED V1-43
	8-1-80	3	ADDED V4-43-3/8

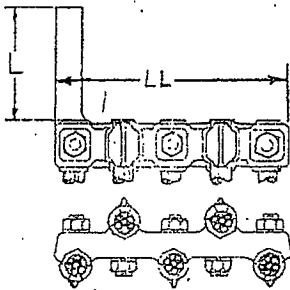
DATE 8-31-60	SECONDARY TERMINAL ADAPTERS	ANDERSON ELECTRIC CORP.	
DWN BY W CKD BY		BIRMINGHAM ALABAMA	
APPROVED		CAT. NO.	DWG. NO. C-1494



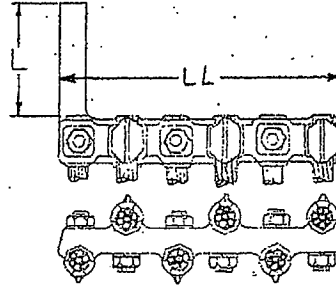
H5



H6



V5



V6

FOR GENERAL NOTES REFER TO SHEET #1.

NEMA SIZE OF TRANSFORMER TERMINAL		ADAPTER SIZES		CATALOG NUMBER				DIMENSIONS IN INCHES	
EYEBOLT OPENING	RANGE AWG OR MCM.	COPPER CABLE RANGE	RANGE - INCHES	H5	V5	H6	V6	STUD DIA.	L
7/16"	8 SOL. - 2/0 STR.	8 SOL. - 2/0 STR.	.128 - .365	H5-33	V5-33	H6-33	V6-33	3/8	1 3/4
5/8"	6 SOL. - 250 MCM	4 SOL. - 250 MCM	.204 - .574	H5-43	V5-43	H6-43	V6-43	9/16	2
13/16"	2 SOL. - 350 MCM	2 SOL. - 350 MCM	.255 - .681	H5-53	V5-53	H6-53	V6-53	11/16	2 1/2
1 5/16"	1/0 SOL. - 500 MCM	1/0 SOL. - 500 MCM	.321 - .813	H5-63	V5-63	H6-63	V6-63	27/32	3 3/4
1 1/4"	2/0 SOL. - 1000 MCM	2/0 SOL. - 1000 MCM	.361 - 1.152	H5-89	V5-89	H6-89	V6-89	15/32	4 1/2

REF. REQUEST # ST-699-2

R/10 X 27

DATE 7-19-58
 DESIGNED BY WDS
 CHECKED BY EL
 D
 FILE

SECONDARY TERMINAL ADAPTERS
 FOR
 OVERHEAD DISTRIBUTION TRANSFORMER

ANDERSON ELECTRIC CORP.
 BIRMINGHAM ALABAMA
 CAT. NO. DWG. NO. C-1494

C-149
 PER. COND. RANGE W/ST #6 SOL. - 250 MCM
 10-23-58
 2-13-51

DIMENSIONS IN INCHES

EYEBOLT DIAMETER	H1	H2	H3	H4	H5	H6	V2	V3	V4	V5	V6
	"LL"	"LL"	"LL"	"LL"	"LL"	"LL"	"LL"	"LL"	"LL"	"LL"	"LL"
7/16 (-33)	1 1/8	2	3	4	5	6	2	3	4	5	6
5/8 (-43)	1 3/8	2 5/8	3 7/8	4 15/16	6 1/8	7 5/16	2 5/8	3 7/8	4 15/16	6 1/8	7 5/16
13/16 (-53)	1 7/8	3 1/8	4 1/16	5 5/8	7	8 3/8	3 1/8	4 1/16	5 5/8	7	8 3/8
15/16 (-63)	1 3/4	3 3/4	5 5/8	6 9/16	8 1/8	9 1/16	3 3/4	5 5/8	6 9/16	8 1/8	9 1/16
1 1/4 (-89)	2 3/8	4 1/8	6	7 3/4	9 5/8	11 1/2	4 1/16	6	7 3/4	9 5/8	11 1/2

REVISIONS	DATE	NO.	DESCRIPTION	BY

REVISIONS	DATE	NO.	DESCRIPTION	BY
	10-29-68	1	ADDED SHEET #4	C.W.
	11-10-69	2	ADDED H1-LL	J.L.S.

R/27
ANDERSON ELECTRIC CORP. LEEDS ALABAMA
CAT. NO. _____ DWG. NO. C-1494

DATE 10-29-68
 DWN BY C.W. CKD BY
 APPROVED [Signature]
 SCALE

SECONDARY TERMINAL ADAPTERS
 FOR
 OVERHEAD DISTRIBUTION TRANSFORMER